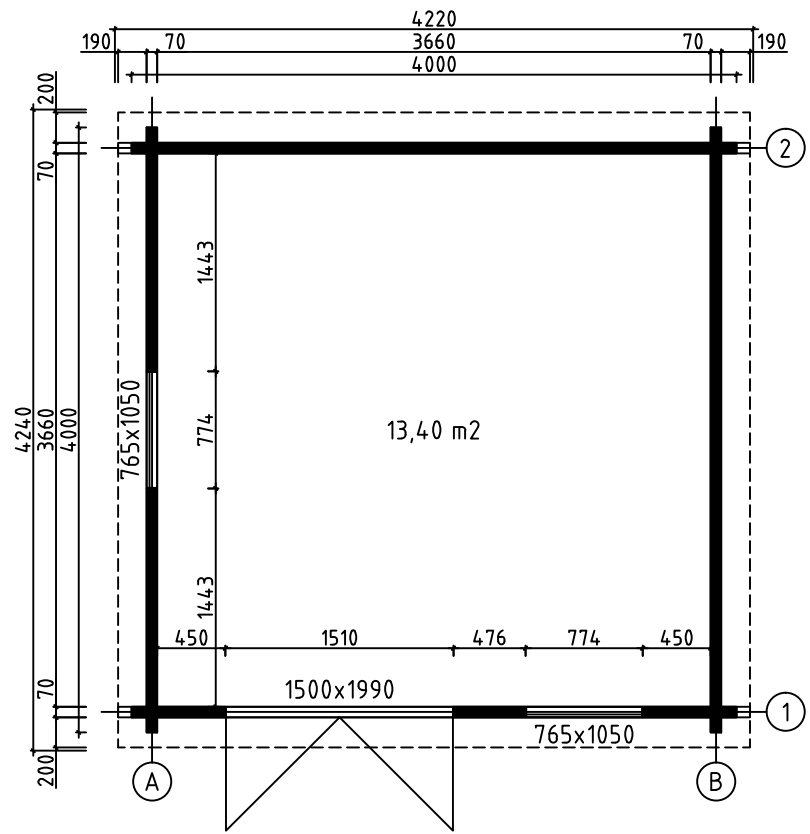
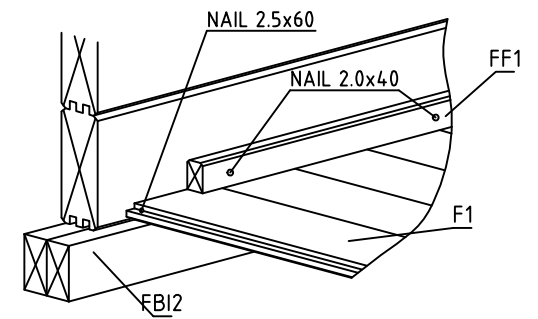
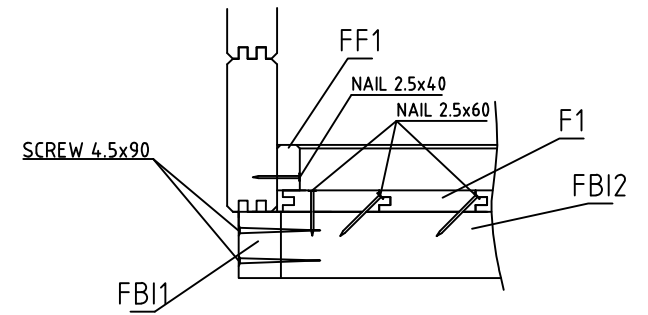
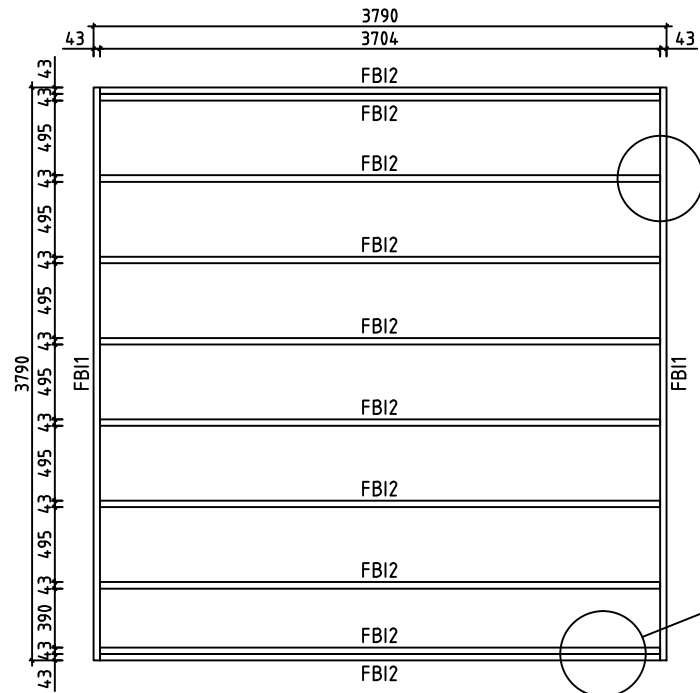


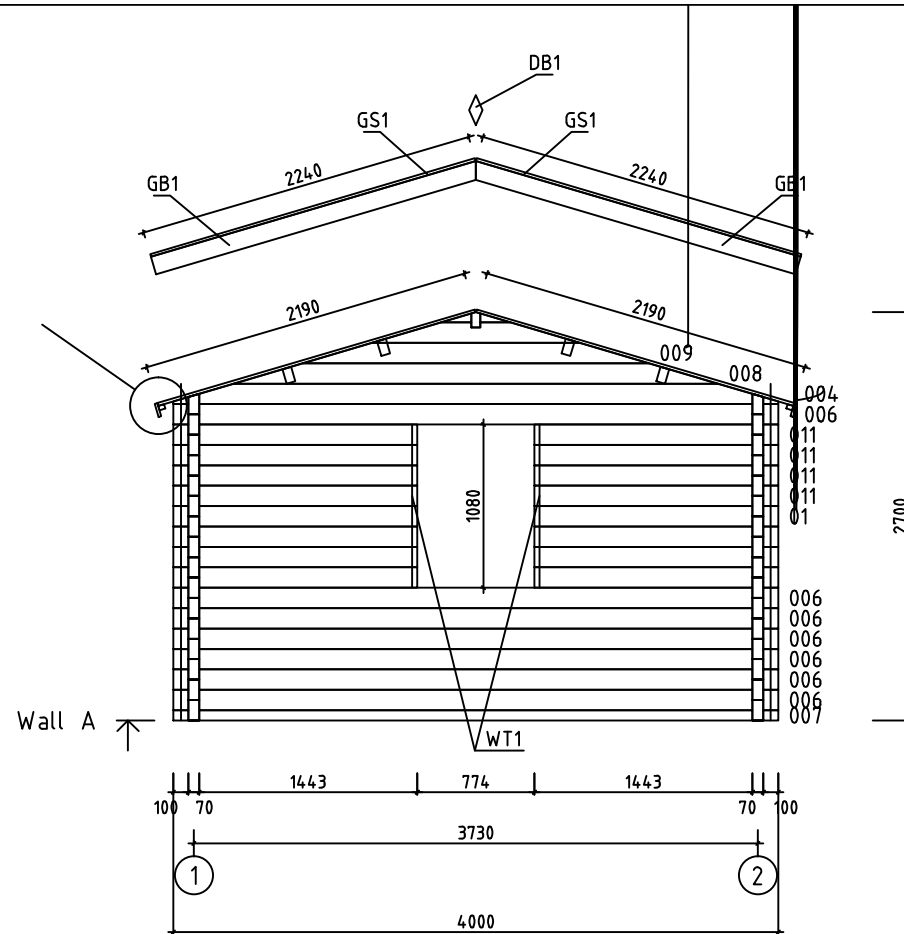
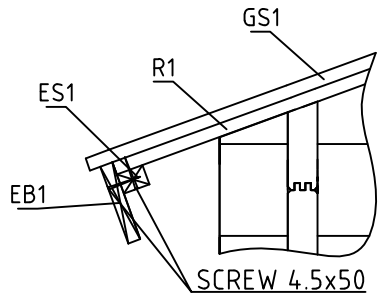
House	Hibiscus 16	Sheet	1
Drawing	3D	Scale	
Material	70x135	Date	10.10.2016
Drawer	RP	File	Hibiscus 16 3D.dwg



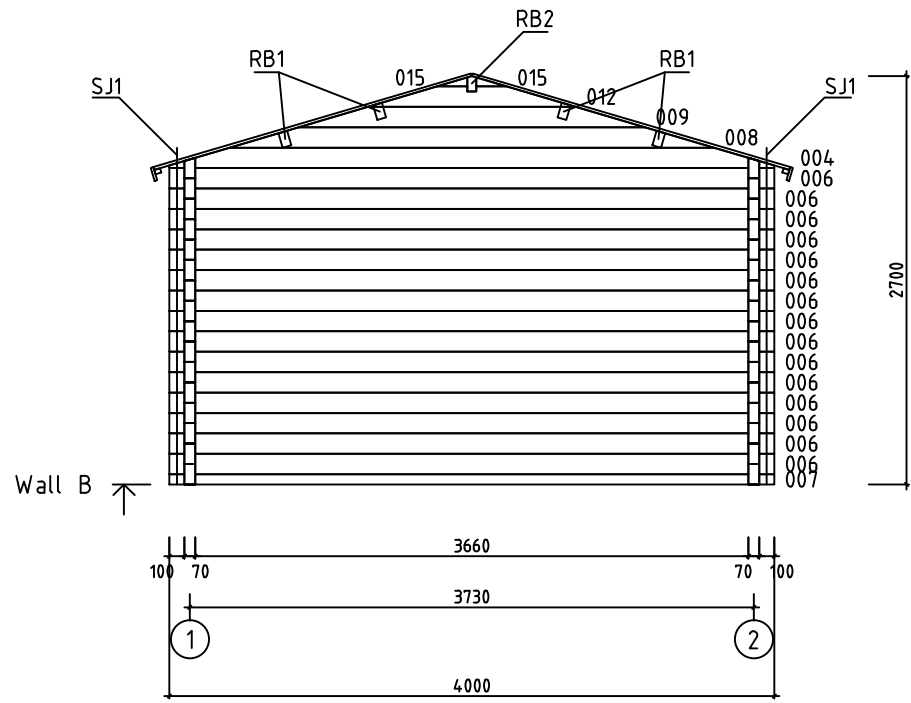
House	Hibiscus 16	Sheet	2
Drawing	GROUNDPLAN	Scale	1:50
Material	70x135	Date	10.10.2016
Drawer	RP	File	Hibiscus 16.dwg



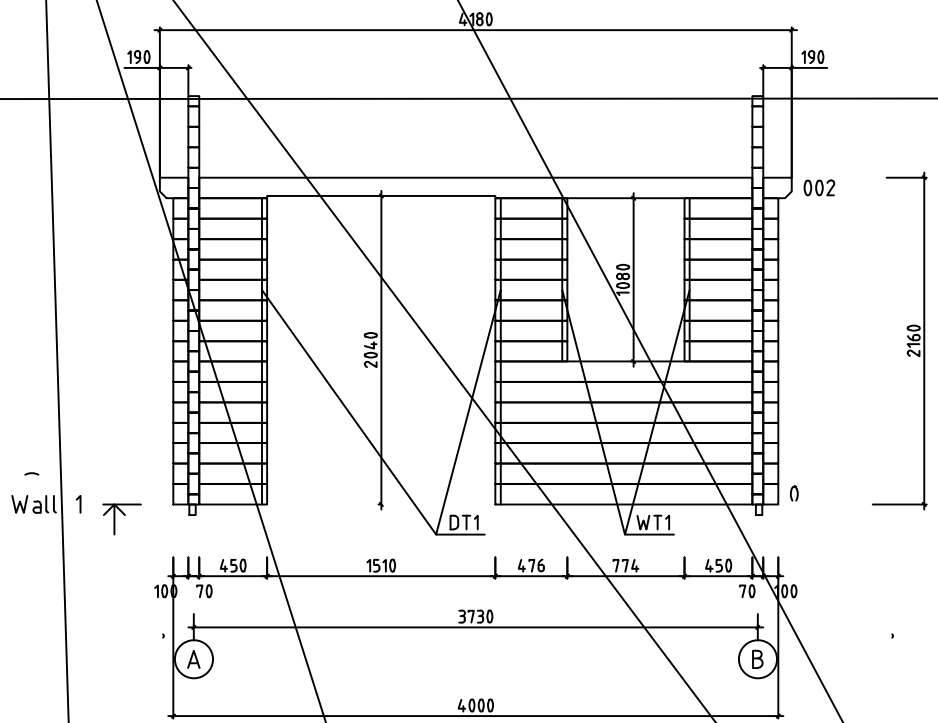
House	Hibiscus 16	Sheet	3
Drawing	FLOORBEAMS	Scale	1:50
Material	43x70	Date	10.10.2016
Drawer	RP	File	Hibiscus 16.dwg



House	Hibiscus 16	Sheet	4
Drawing	WALL A	Scale	1:50
Material	70x135	Date	10.10.2016
Drawer	RP	File	Hibiscus 16.dwg

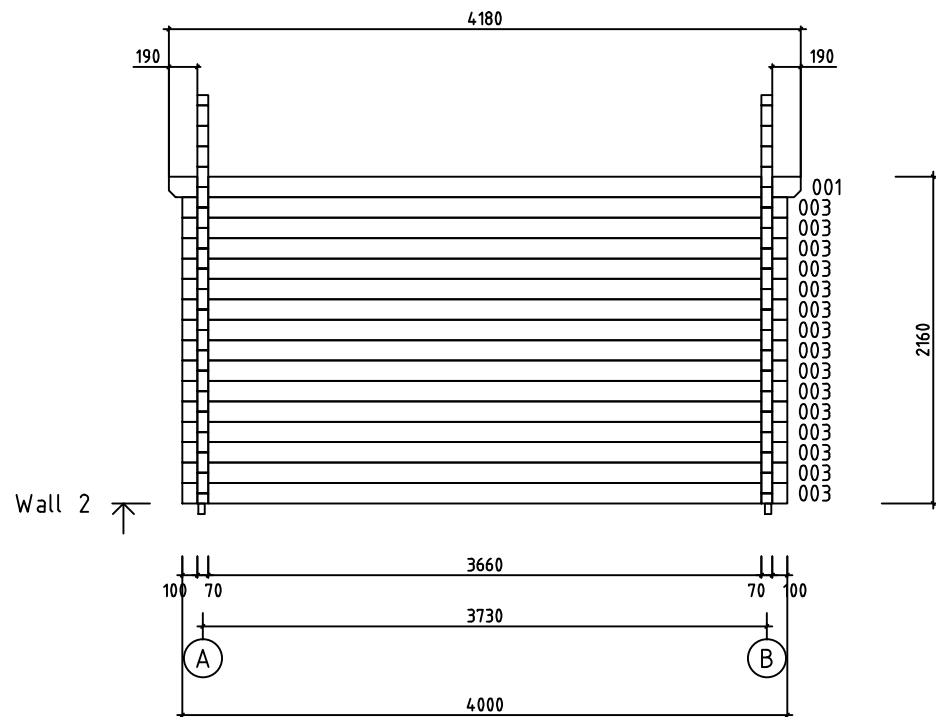


House	Hibiscus 16	Sheet	5
Drawing	WALL B	Scale	1:50
Material	70x135	Date	10.10.2016
Drawer	RP	File	Hibiscus 16.dwg



Wall 1 ↑

House	Hibiscus 16	Sheet	6
Drawing	WALL 1	Scale	1:50
Material	70x135	Date	10.10.2016
Drawer	RP	File	Hibiscus 16.dwg



House	Hibiscus 16	Sheet	7
Drawing	WALL 2	Scale	1:50
Material	70x135	Date	10.10.2016
Drawer	RP	File	Hibiscus 16.dwg

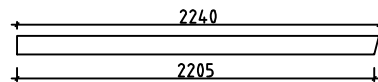
HB

HIT

2 70x135 300

GB1

GABLE BOARD-GIEBELBLENDE-PLANCHE DE RIVE



4 19x120 2240

GS1

ROOF FELT FILLET-GIEBELLEISTE-BAGUETTES POUR



4 19x70 2240

EB1

EAVE BOARD-TRAUFBRETT-LATTES SOUS VOLIGES



4 19x90 2090

ES1

EAVE SLAT-TRAUFENLEISTE-BAGUETTES POUR FIXER



4 30x40 2090




DB1

DIAMOND-RAUTE-ÉLÉMENTS DE DÉCORATION



2 19x90 200



NAIL-NAGEL-CLOUS FOR-FÜR-POUR	F1, R1		750	Ø2.5	60
SCREWS-SCHRAUBEN-VIS FOR-FÜR-POUR	GB1, GS1, EB1, ES1, DB1		80	Ø4.5	50
SCREWS-SCHRAUBEN-VIS FOR-FÜR-POUR	RB1, RB2		30	Ø6.0	160

DOUBLEDOOR-DOPPELTÜR-D

#001	2	4180	1
#002	1	4180	1
#003	2	4000	15
#004	A,B	4000	2
#005		4000	1
#006	A,B	4000	22
#007	A,B	4000	2
#008	A,B	3203	2
#009	A,B	2288	2
#010	1	1870	7
#011	A	1613	16
#012	A,B	1373	2
#013	1	620	23
#014	1	476	8
#015	A,B	199	4